

Temperature / Humidity WTS-TH / WT-TH-xx)

Weatherproof dual temperature and humidity sensor with Wireless Tunnel™ radio. 10 year battery life with 4xAA batteries, 5VDC or 12VDC powered. Either run 100% battery, or with battery backup.

AKCP hand tunes every antenna and tests for maximum broadcast strength before shipping. This ensures excellent penetration of wireless radio signal through buildings.

Typical Applications:

- Data center monitoring
- Warehouse environment
- Cold storage and transport
- Pharmaceutical and hospitals

Custom Options:

The WTS-TH can be ordered with the sensor on cable up to 15ft length. This allows you to place the radio module in a convenient location with the sensor placed in a precise position. This setup is ideal for IT cabinets, where the sensor can be located inside the rack with the radio module on the top of the cabinet.



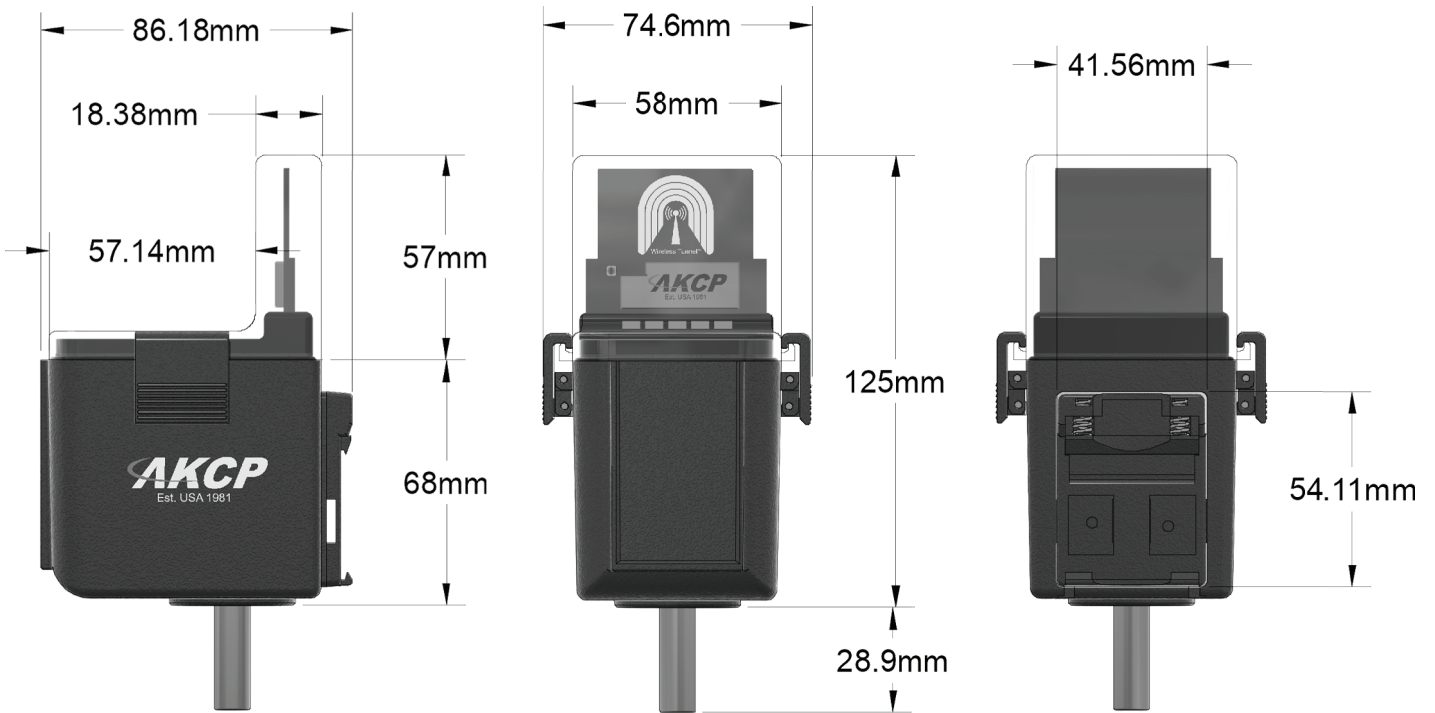
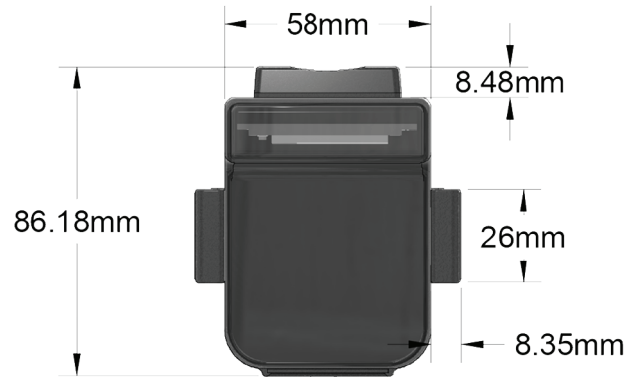
Sensor fixed on box



sensor tube on custom cable up to 15ft

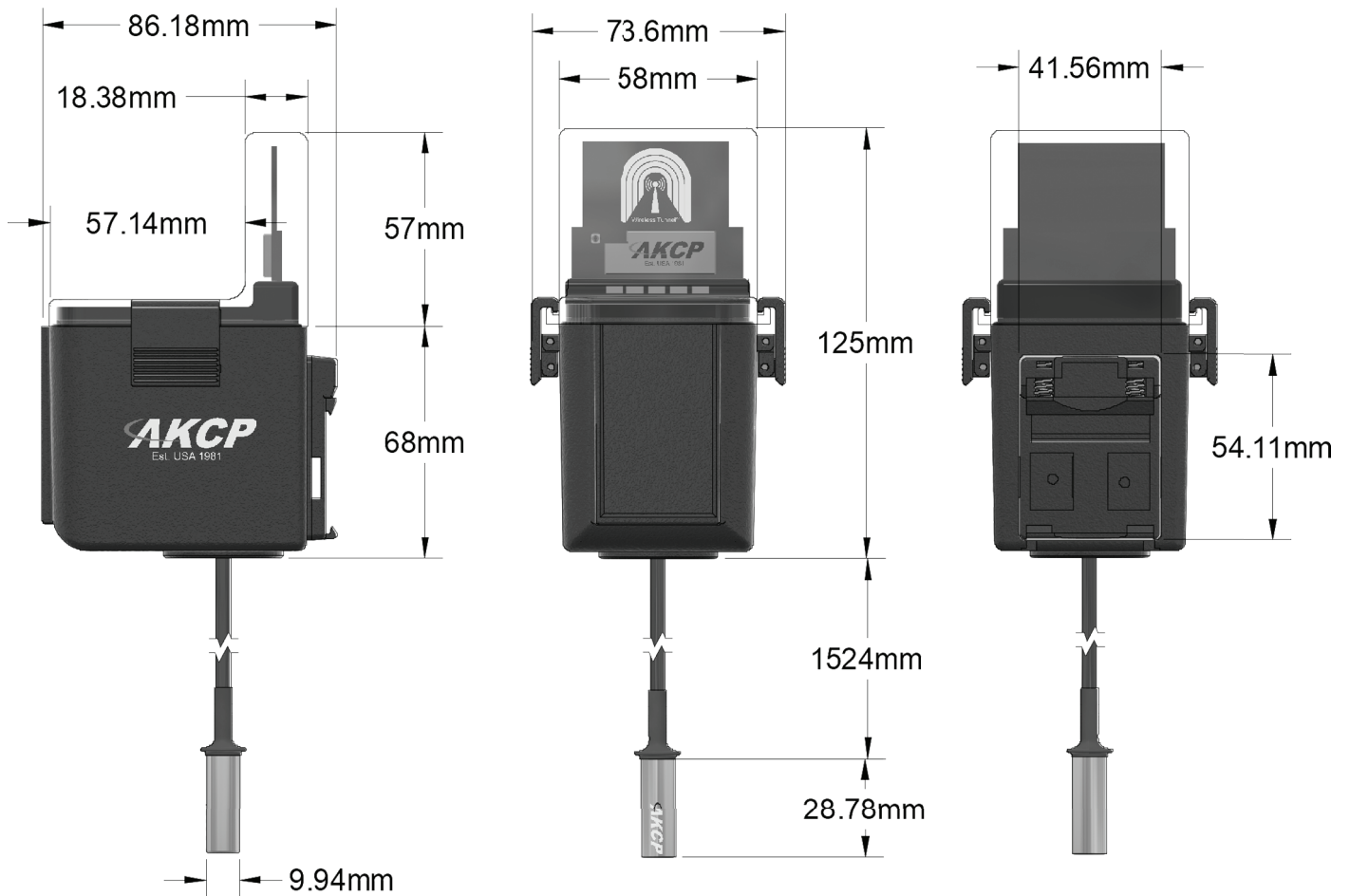
WTS-TH - Technical Drawing

Wireless Tunnel™ Sensor -Temperature and Humidity



WTS-TH-xx - Technical Drawing

Wireless Tunnel™ Sensor - Temperature and humidity with up to 15ft cable



WTS-TH / WTS-TH-xx Technical Specification

Status Indication	LED indication for - Mode - Status - RSSI
Components	Manufactured using highly integrated, low power surface mount technology to ensure long term reliability.
Operating Environment	Temperature : Min. -35° C – Max.80° C Humidity: Min. 20% – Max. 80% (Non-Condensing)
LoRa (R) Radio Regional plans	- EU868 : 863~868Mhz, Max TX Power +14dBm, Duty Cycle 1% - US915: 903~915Mhz, Max TX Power +17dBm - AS923 : 920~925Mhz, Max TX Power +14dBm, Duty Cycle 1% - KR920 (Korea) : 922~923Mhz, Max TX Power +14dBm, Duty Cycle 1% - IL917 (Israel) : 915~917Mhz , Max TX Power +14dBm, Duty Cycle 1%
Certification	FCC Part15C, CE EN300220-2
Interface	Micro-USB port for powering, adding and upgrading to the Gateway base unit
Dimension	76x77x120mm
Mounting	Wall hanging, DIN rail, Pipe Clamp
Power source	4xAA batteries or via micro-USB port
Power Consumption	Average 12 mWatt, 10uA in Idle, up to 10 years battery life
Temperature	
Measurement Range	-40°C to +75°C -40°F to +167°F
Measurement Resolution	0.1°C increments 0.2°F increments
Measurement Accuracy	Typical : * ±0.3 from -40°C to +75°C * ±0.4 from -40°F to +167°F Maximum : * ±0.4 at -40°C and ±0.4 at +75°C * ±0.7 at -40°F and ±0.7 at +167°F
Humidity	
Measurement range	0 to 100% Relative humidity
Resolution	1%RH increments, 0.01%RH sensor reading
Accuracy at	25°C ±2%RH
Gateway sensor count	5 (3 + 2)