

## Temperature Sensors (TMP00 / TMP01)



When you need to know the temperature of a room, enclosure or cabinet this sensor can be used. Housed in a thermally conductive metal tube it is accurate and quick to react to changes in temperature, it is available in two versions.



### TMP00

The TMP00 is supplied with a free 5ft cable, it can be extended using standard CAT5 up to 300 meters (1,000ft) from the AKCP base unit. The sensor can be mounted with screws, adhesive or with optional DIN rail clips



### TMP01

A short 1ft fixed cable with temperature sensor on the end. Custom lengths can be ordered to suit your needs. Product code for custom lengths is TMPxx where xx is replaced by the cable length in feet.

## Temperature Sensors (TMP00-NIST2 / TMP01-NIST2)



# If you're spending money for monitoring, wouldn't you want to know the sensors are calibrated?

**2 NIST certified, calibrated temperature sensors are compared once a second for accuracy. (NIST2)**

The NIST2 sensors feature a built in calibration check. Each unit has 2x NIST calibrated and certified temperature sensors. The primary sensor value is checked by the secondary sensor, and if we detect a range of greater than the stated accuracy we will alert that the sensor is out of calibration.

This makes these sensors ideal for situations where a high degree of accuracy is required and assurance of the calibration state



### TMP00-NIST2

Just like the TMP00, this sensor can be extended up to 300m (1,000ft) using standard CAT5 cable.



### TMP01-NIST2

Fixed length sensors, available in custom lengths using code TMPxx-NIST2, where xx is the length of cable in feet.

## NIST

National Institute of  
Standards and Technology  
U.S. Department of Commerce

**Note: NIST2 sensors are compatible with sensorProbe+ series of base units only**

## Temperature Sensors (TMP00-NIST3 / TMP01-NIST3)



### Calibration Check with Fail-over

**3 NIST certified, calibrated temperature sensors are compared once a second for accuracy, with backup if pair is out of calibration (NIST3).**

The NIST3 sensors feature a built in calibration check. 3 NIST calibrated sensors working in 3 pairs. The primary sensor value is checked by the secondary sensor, and if we detect a range of greater than the stated accuracy we will alert that the sensor is out of calibration. The sensor will then automatically fail-over and continue monitoring with a seamless graph of data.

Suitable for situations where a high accuracy, calibrated sensors are needed, with backup for critical monitoring applications.



#### **TMP00-NIST3**

Just like the TMP00, this sensor can be extended up to 300m (1,000ft) using standard CAT5 cable.



#### **TMP01-NIST3**

Fixed length sensors, available in custom lengths using code TMPxx-NIST4, where xx is the length of cable in feet.

## Temperature Sensors (TMPWxx-xxmm)



### TMPWxx

Waterproof temperature sensor\* with extended metal tube. Available in a variety of cable lengths and in either the standard tube or a choice of two additional tube lengths, either 50mm or 100mm. Custom lengths can be ordered with code TMPWxx / TMPWxx-50mm / TMPWxx-100mm where xx is replaced by the cable length in feet.



TMPW15-100mm



TMPW15-50mm

\*Water proof up to length of metal tube

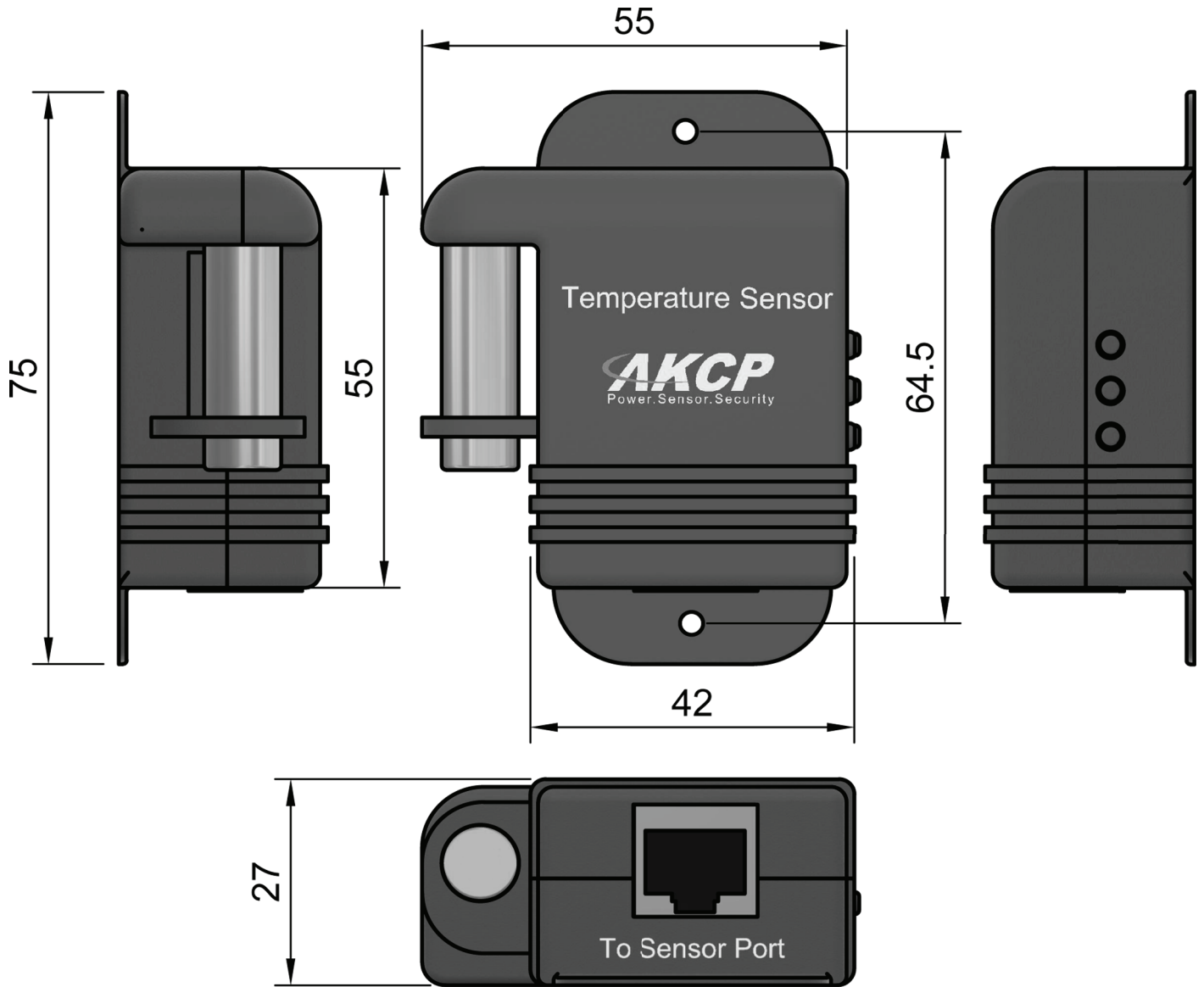
TMPxx / NIST2 / NIST3 / TMPWxx - Technical Specifications



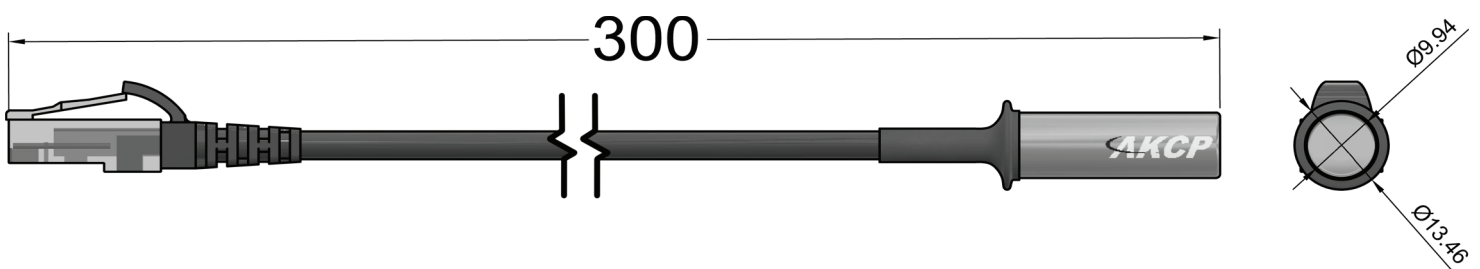
<b>Temperature</b>	
<b>Measurement Range</b>	-55°C to +75°C -67°F to +167°F
<b>Measurement Resolution</b>	securityProbe and sensorProbe+ series 0.1°C increments 0.2°F increments sensorProbe series 1°C increments 1°F increments
<b>Measurement Accuracy</b>	sensorProbe+ series and securityProbe series ±0.2°C accuracy from -10°C to +75°C ±0.5°F accuracy from +14°F to +167°F sensorProbe series ±1°C accuracy from -10°C to +75°C ±1°F accuracy from +14°F to +167°F
<b>Calibration</b>	NIST traceable Calibration Certificate (TMPxx-NIST2 and TMPxx-NIST3) Built in calibration check, alerts when sensor needs re-calibration Optional failover sensor when out of calibration (TMPxx-NIST3 sensors)
<b>Interface</b>	
<b>Communications cable</b>	RJ-45 jack to sensor using UTP CAT5e/6 cable
<b>Power source</b>	Powered by the base units. No additional power needed
<b>Power Consumption</b>	Typical 7.25mWatt, 1.45mA
<b>Maximum Cable Length</b>	Run length is 1000 feet (300 meters) with low capacitance shielded cable or UTP
<b>Sensor type</b>	Semiconductor, microprocessor controlled
<b>Dimensions</b>	56 x 55 x 33.3 mm
<b>Mounting</b>	DIN rail mounting Screw mounting
<b>Sensor count (TMPxx)</b>	1
<b>Sensor count (T2MPxx)</b>	2
<b>Important Note</b>	The fixed one foot type or TMP01 are not designed to be extended. If you need to extend these sensors then you need to use the TMP00 (remote type). We also do not recommend you trying to connect any of our AKCP sensors including the temperature and dual temp humidity sensors though patch panels or using the RJ-45 couplers to extend them. Please see the temperature sensors product manual or FAQ in our knowledge base for more details regarding this.
<b>Compatibility</b>	TMPxx-NIST2 and TMPxx-NIST3 compatible with sensorProbe+ series only



**TMP00 - Extendable Temperature Sensor**



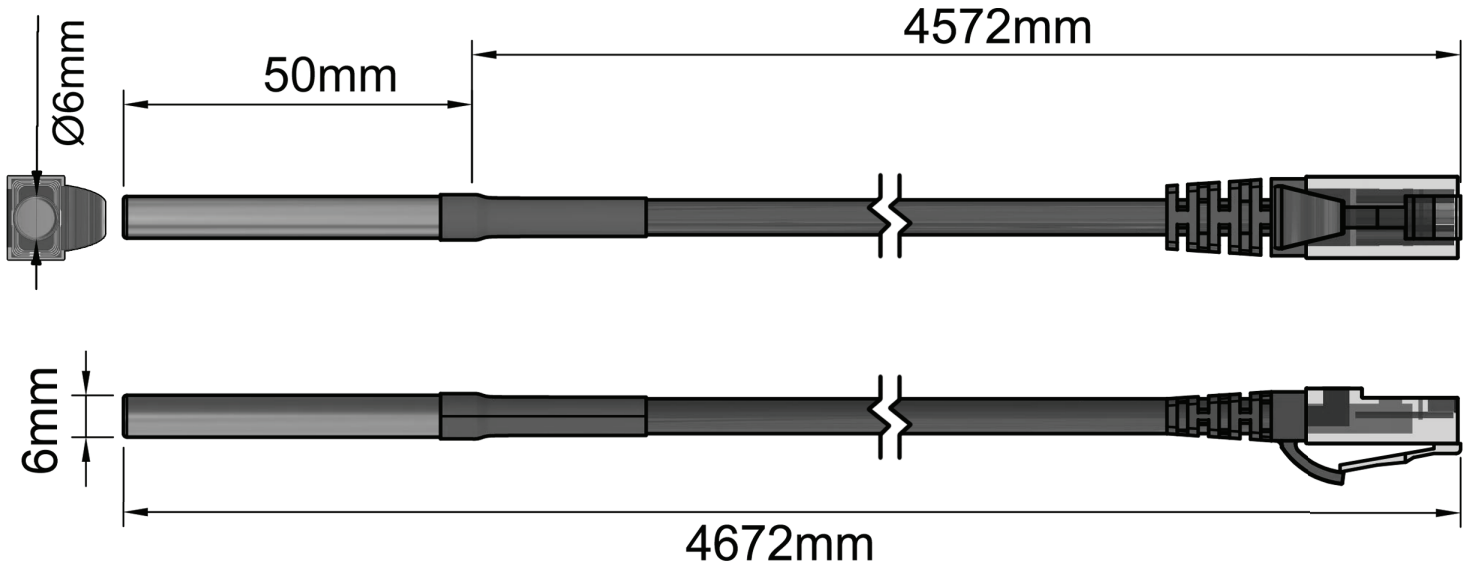
**TMP01 - 1ft Temperature Sensor**



**TMPW15 - Technical Drawing**



**TMPW15-50mm- Waterproof Temperature Sensor with 50mm tube**



**TMPW15-100mm- Waterproof Temperature Sensor with 100mm tube**

